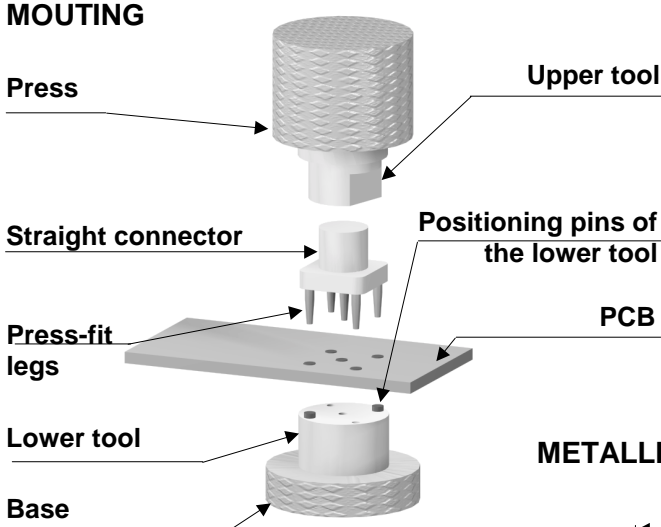
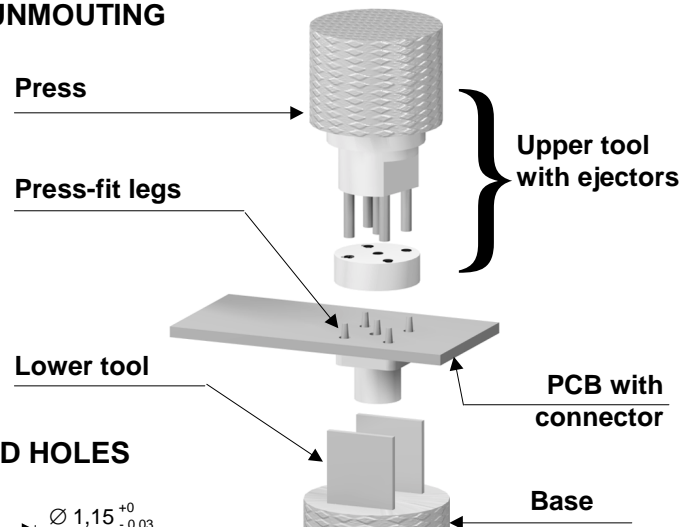


Press-fit 01 : Straight version

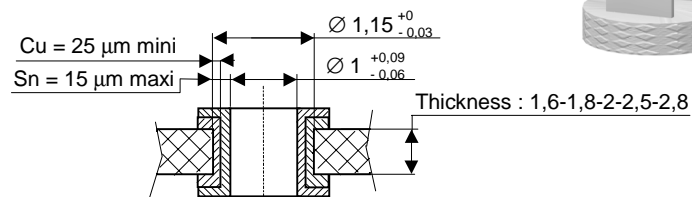
MOUTING



UNMOUTING

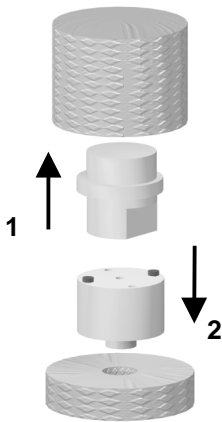


METALLIZED HOLES



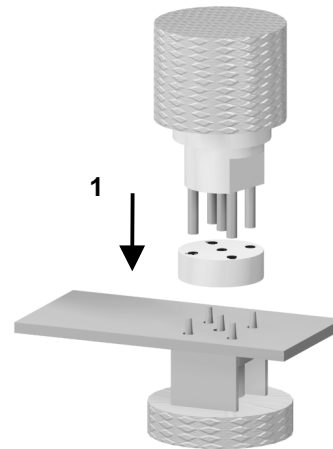
1

Slide the upper tool into the machine (press).
Slide the lower tool into the base.



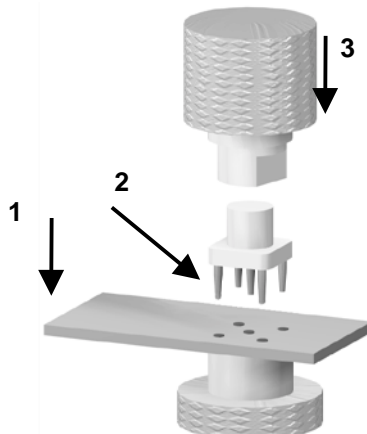
1

Place correctly the PCB and the connector on the lower tool..



2

Place correctly the PCB on the lower tool.
Introduce the press-fit legs into the holes of the PCB.
Push on top (100N mini per press-fit leg) until total insertion.
Note: the connector body must rest on the PCB.



2

Place the upper tool at the back of the connector and place correctly the ejectors :
- on the press-fit legs (if their length exceed the PCB thickness)
- in the holes of the PCB (if not).
Press the upper tool (100N mini per press-fit leg) to remove the connector until it slide down into the lower tool.

CAUTION :
A plated hole of the PCB can be used up to 3 times.

